

Professional & Tropics Fascia **INSTALLATION**

Fiberon decking is complemented by a color matched fascia board. Available where Fiberon decking products are sold, the fascia board should be fully supported by a sub-fascia (backer board) made of structurally sound lumber and fastened with 3 fasteners every 16" on-center with Professional Fascia (figure A) and 2 fasteners every 16" on-center with Tropics Fascia (figure B).

For a professionally finished deck project, use Fiberon fascia for stair risers. Ripped to width, Fiberon fascia may be used to wrap posts or stringers, but it is NOT intended for structural applications.

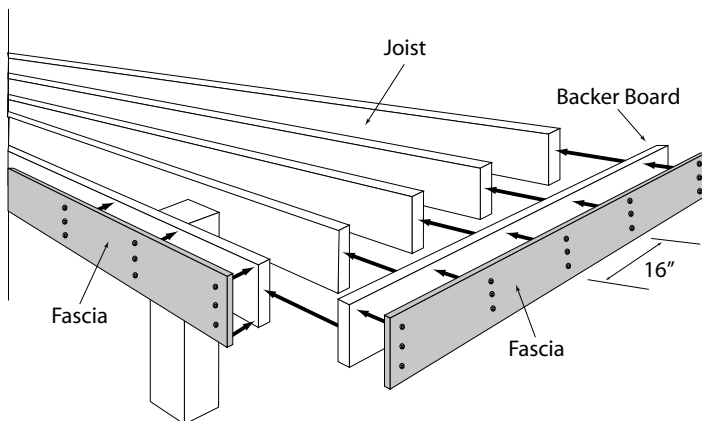
Ventilation

To prevent excessive water absorption, an unobstructed air flow is required below the deck surfaces. Flat areas where standing water may gather should be addressed by grading or improved drainage. For decks with limited ventilation, add air flow by installing vents at various locations around the rim joist.

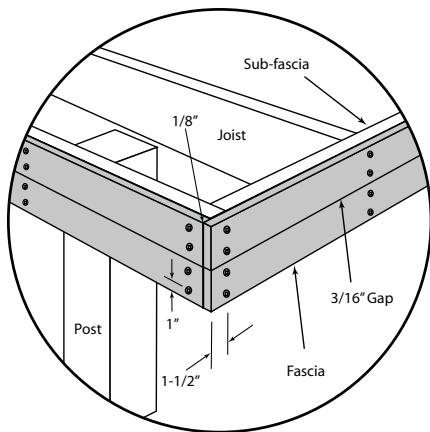
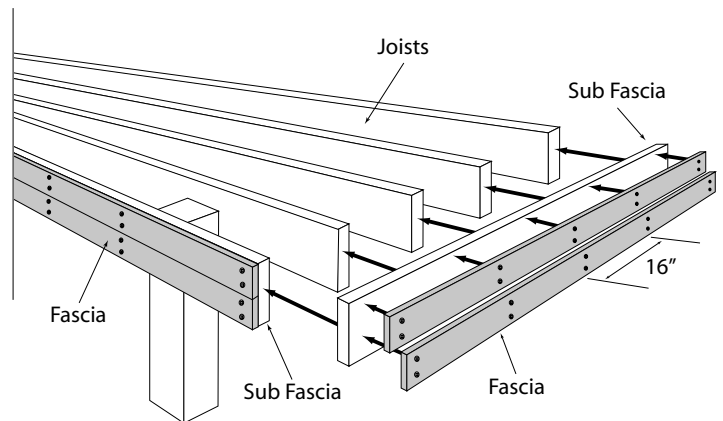
IMPORTANT NOTES:

- DO NOT fasten fascia within 1-1/2" of end of fascia board as it may cause eventual cracking of boards.
- DO NOT fasten fascia within 1" of edge of fascia board as it may cause eventual cracking of boards.
- To ensure a clean finish, always drive fasteners into fascia at a 90-degree angle.
- DO NOT butt fascia boards together when installing. Be sure to leave a 1/8" gap between boards (figure C & D).
- For longer runs, fascia may be scarf cut (figure c) for a cleaner appearance.

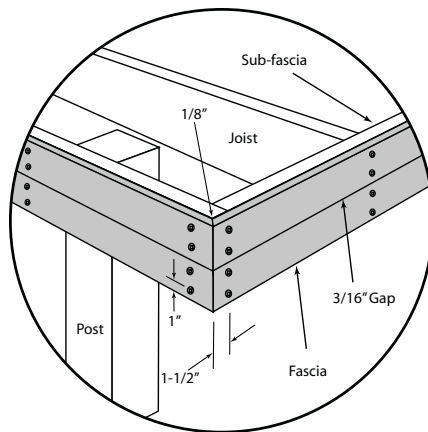
Professional Fascia (Figure A)



Tropics Fascia (Figure B)



Butt Joint (Figure C)



Angle Joint (Figure D)

